

# ICE-O-Matic R-404A Line Kits

Information based on manufacturer specifications



# Gulf Ice Systems

## PRECHARGED TUBING KIT PRODUCT NUMBERS

**RT325-404**

**RT340-404**

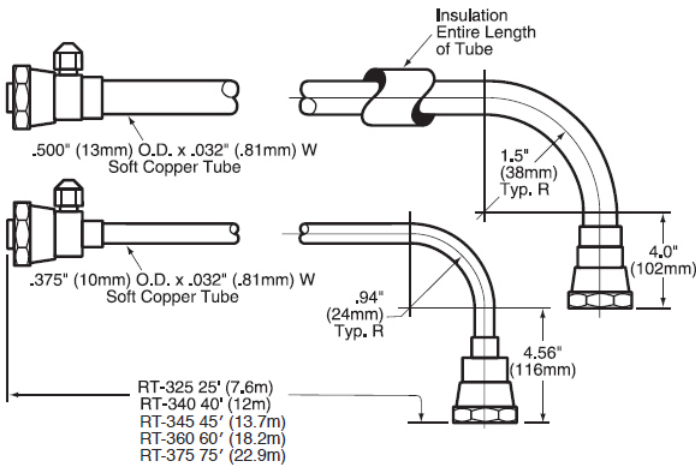
**RT375-404**

- For use with condenser model RCA
- For use with condenser model RGA
- For use with R-404A remote cooled ice makers

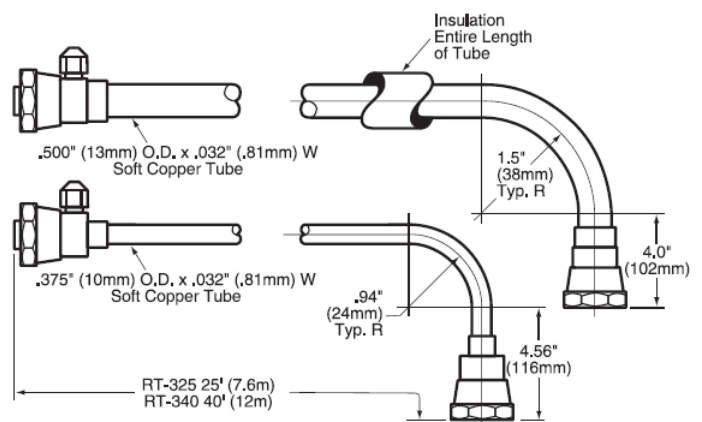


Remote Cooling

<i>Model #</i>	<i>Description</i>	<i>Shipping Weight (lbs)</i>
<b>RT325-404</b>	25ft Precharged Tubing Kit for units using R-404A refrigerant	<u>13</u>
<b>RT340-404</b>	40ft Precharged Tubing Kit for units using R-404A refrigerant	<u>18</u>
<b>RT375-404</b>	75ft Precharged Tubing Kit for units using R-404A refrigerant	<u>36</u>



**GRC / RGA Condenser**



**VRC / RCA Condenser**

\* Remote condensers and line sets are required for remote cooled units.

